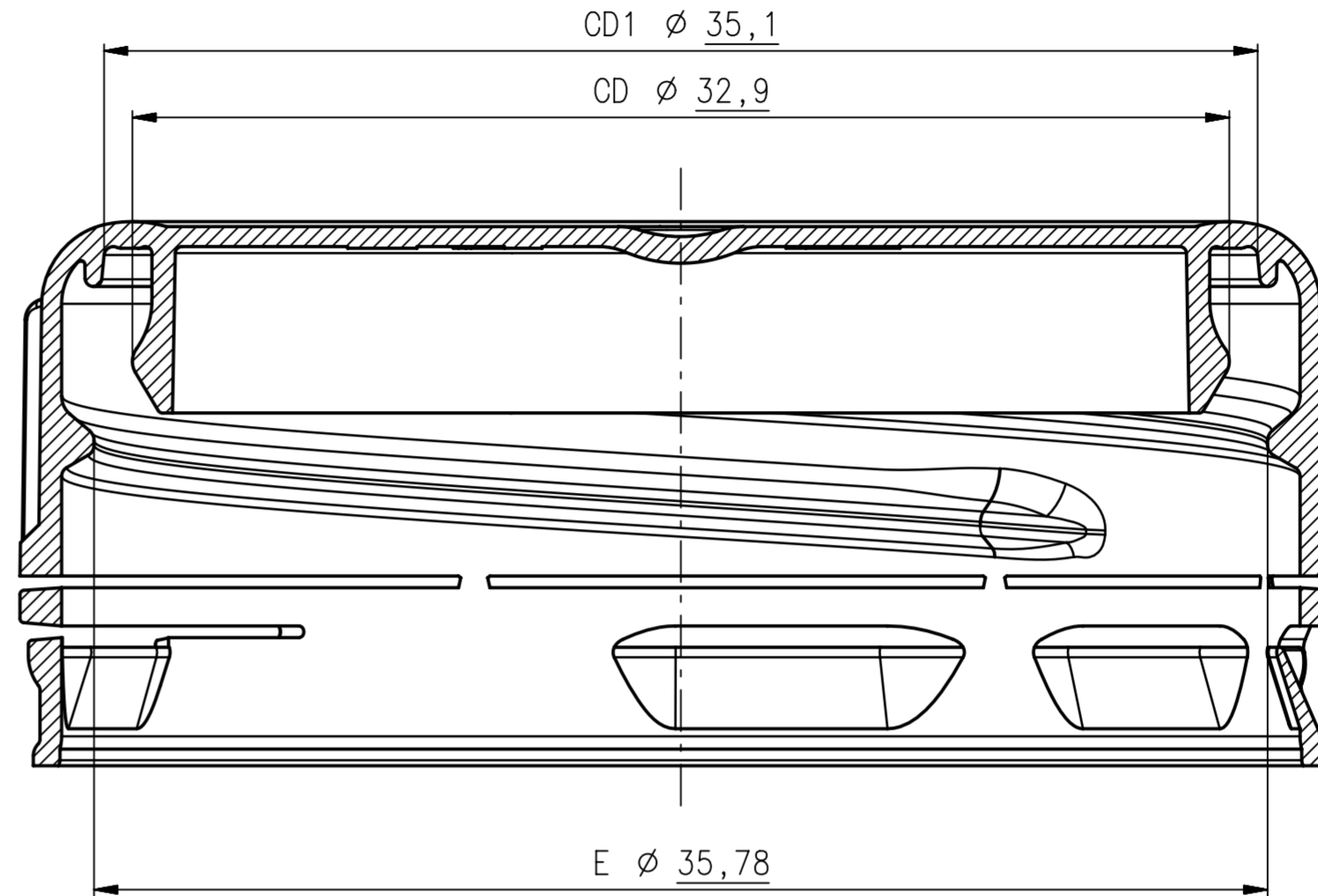


SECTION A-A  
SCALE 5:1  
view turned by 19,5°



Surface area (migration test): 1458.98mm<sup>2</sup>

**THREAD DETAIL:**

PITCH: 7,26mm  
TURNS: 0,7  
2 START THREAD  
spacing between thread profile: 3,63 (7,26/2)

\*measuring point



Index	Modification:	Name	Date	Index	Modification:	Name	Date
-	-	-	-	-	-	-	-
Scale: 2:1 5:1/1:1		Name Prepared: <b>Dangl Matthias</b> Reviewed:	Date 28.Oct.22	<b>ALPLA</b>			
ALPLA reserves all rights to the technical IP contained in the document		Supersedes: Superseded by:	Weight: 00kg				
Title: <b>ASC 38 2Start Tethered tethered soul V7</b>				Drawing No.:		Revision: 00	
				<b>9301_021_095_01_C1</b>			

ALPLA to reserve the right to modify the drawing after part sampling