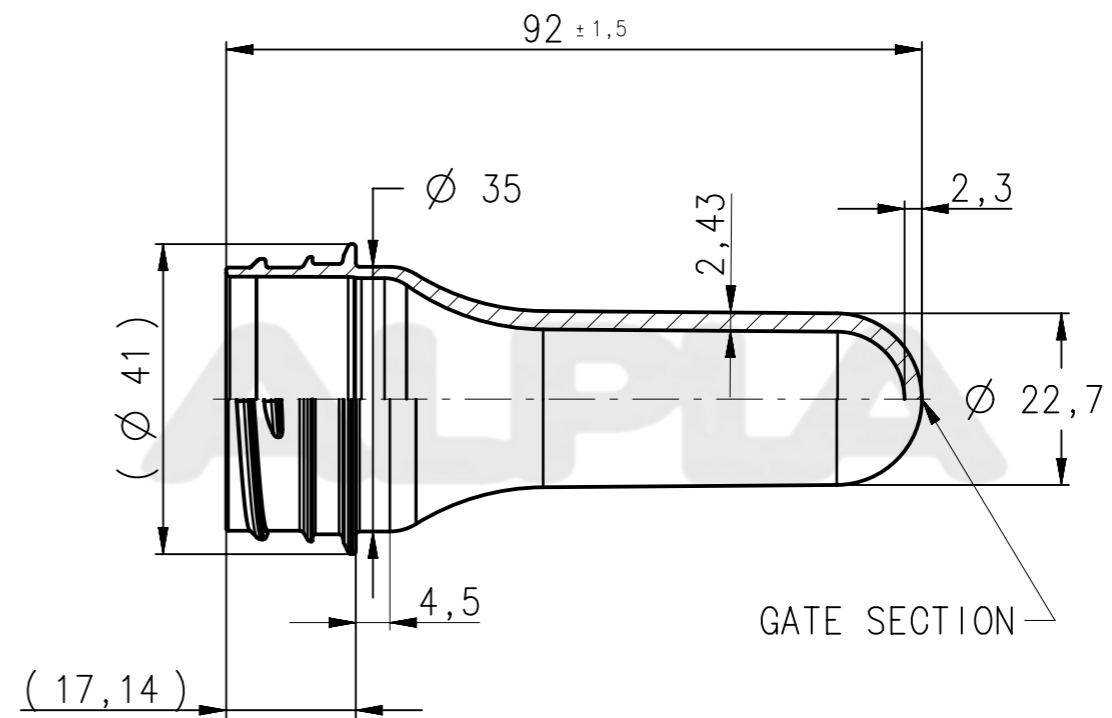
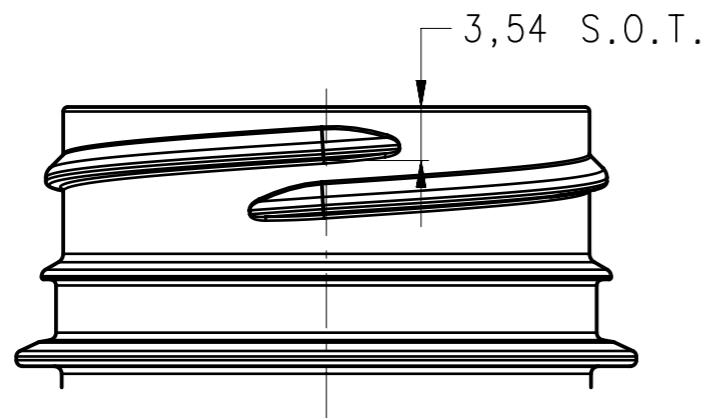
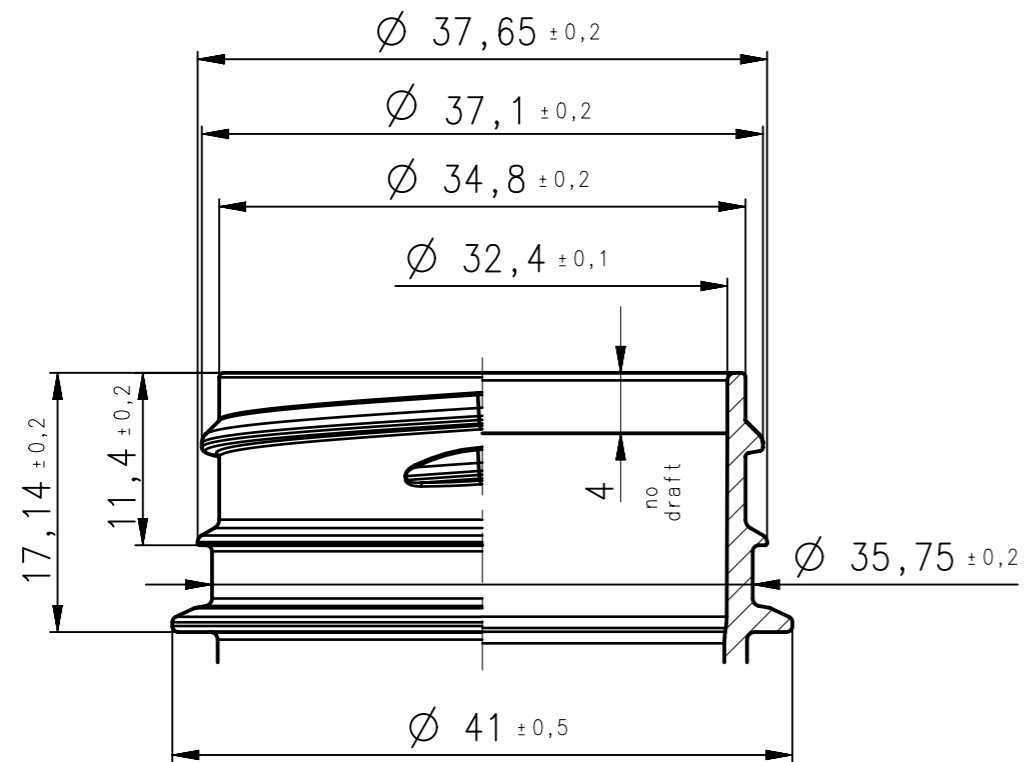
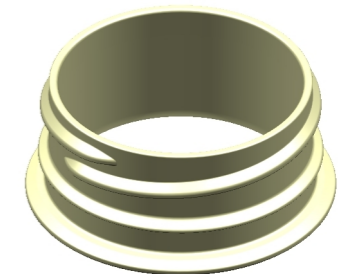


NECK DETAIL: PITCH: 7.264mm
 SCALE 2:1 TURNS: 0,5 (180°) without
 start and end of thread
 STARTS: 2




SCALE 1:1

SCALE 1:2



Material: PET
 Weight: $20.5 \pm 0.3g$

-		-		-		-		-	
Index	Modification:	Name	Date	Index	Modification:	Name	Date		
Scale:		Name	Date						
1:1		Prepared: Giesinger Arno	17.Jan.17						
2:1 1:2		Reviewed: HP	17.Jan.17						
ALPLA reserves all rights to the technical IP contained in the document		Supersedes:		Art.No.:		Page: 1 of 1			
		Superseded by:		Drawing No.:		Revision: 00			
		Weight: 00kg		9406_A28_398_02					
Title:		Sales drawing							
PN_A28.0									

Diameters and ovality directly after injection
 Testing of the wall thickness and total
 length of preforms according to Alpha
 instruction for testing

General Tolerance
 BLOWMOLDING ARTICLE: DIN ISO 2768-c
 INJECTION ARTICLE: DIN 16901/150B
 PREFORM: DIN 16901/130A