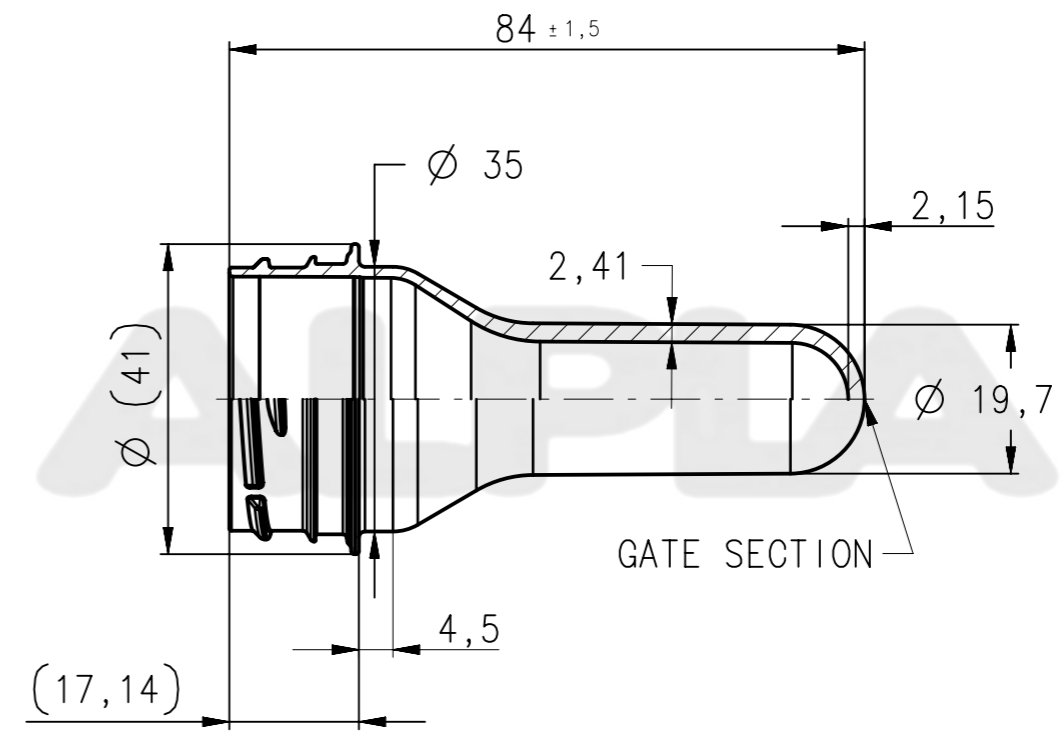
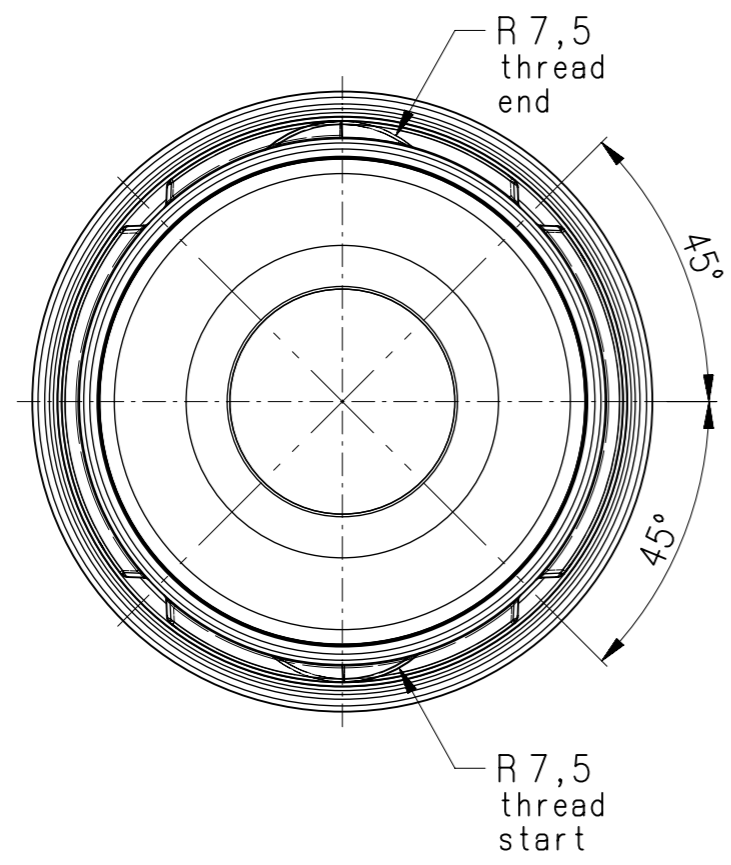
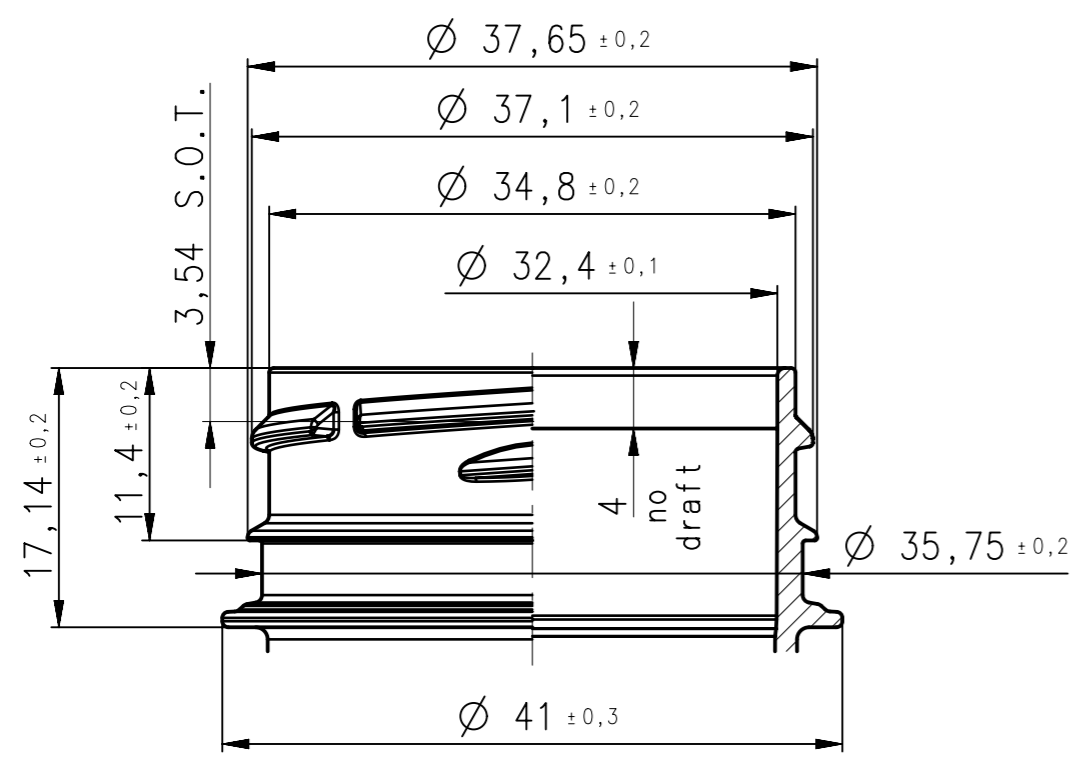
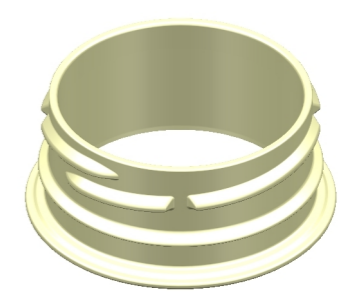


NECK DETAIL: PITCH: 7.264mm
 SCALE 2:1 TURNS: 0,5 (180°) without start and end of thread
 STARTS: 2



SCALE 1:1

SCALE 1:2



Material: PET
 Weight: 16.5 ± 0.3g

General Tolerance BLOWMOLDING ARTICLE: DIN ISO 2768-c INJECTION ARTICLE: DIN 20457/TG7-W PREFORM: DIN 20457/TG6-NW	Index		Modification:		Name	Date	Index		Modification:		Name	Date	
	Scale:		1:1		Name	Date	Supersedes:				Art.No.:		
	2:1 1:2				Prepared:	Giesinger Arno	12.Sep.22	Superseded by:				Page: 1 of 1	
					Reviewed:	GA	12.Sep.22	Weight: -- kg				Revision: 00	
ALPLA reserves all rights to the technical IP contained in the document				Title:		Sales drawing		Drawing No.:		9416_M93_436_02			



9416_M93_436_02